

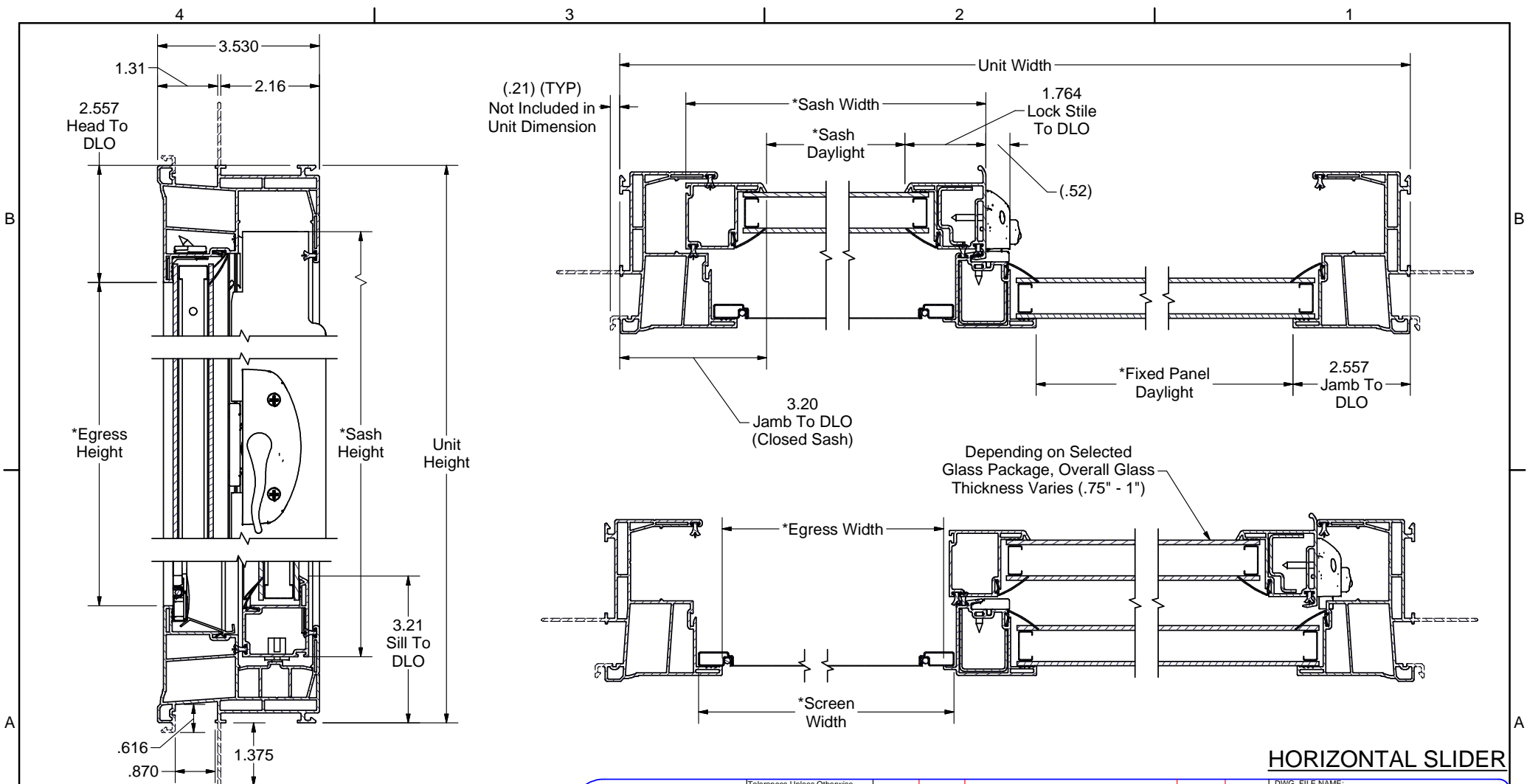
**NOTES:**

1. " \* " INDICATES: SEE B.O.M. CUT LOGIC or "TECHNICAL DOCUMENTATION"
2. SEE B.O.M. CUT LOGIC or "TECHNICAL DOCUMENTATION" FOR GLASS DIMENSIONS
3. VIEW SHOWN IS:  
BRICKMOULD, NEW CONSTRUCTION w/ NAIL FIN
4. REINFORCEMENT SHOWN IS ONLY USED AS NEEDED.


**SINGLE HUNG**

	Tolerances Unless Otherwise Specified. All Dimensions originate at sharp corners unless indicated. X.XXX ± 0.005, X.XX ± 0.015 FRACTIONAL ± 1/64" ANGLES ± 1.0° FLATNESS ± 0.020 per ft. NOTE: BOXED/CIRCLED DIMS ARE CRITICAL				DWG. FILE NAME: <b>EJAGSH1000.idw</b>	
	SCALE: <b>1/2</b>		DRAWN BY: <b>Sgibbs</b>		REV.	
	SHEET SIZE: <b>B</b>		DATE: <b>6/8/2012</b>		<b>A</b>	
DESCRIPTION: <b>1500 Series, Section Views</b>						
A	12-269	INITIAL RELEASE	12/11/12	KSG		
REV.	ECO	REVISION	DATE	BY		

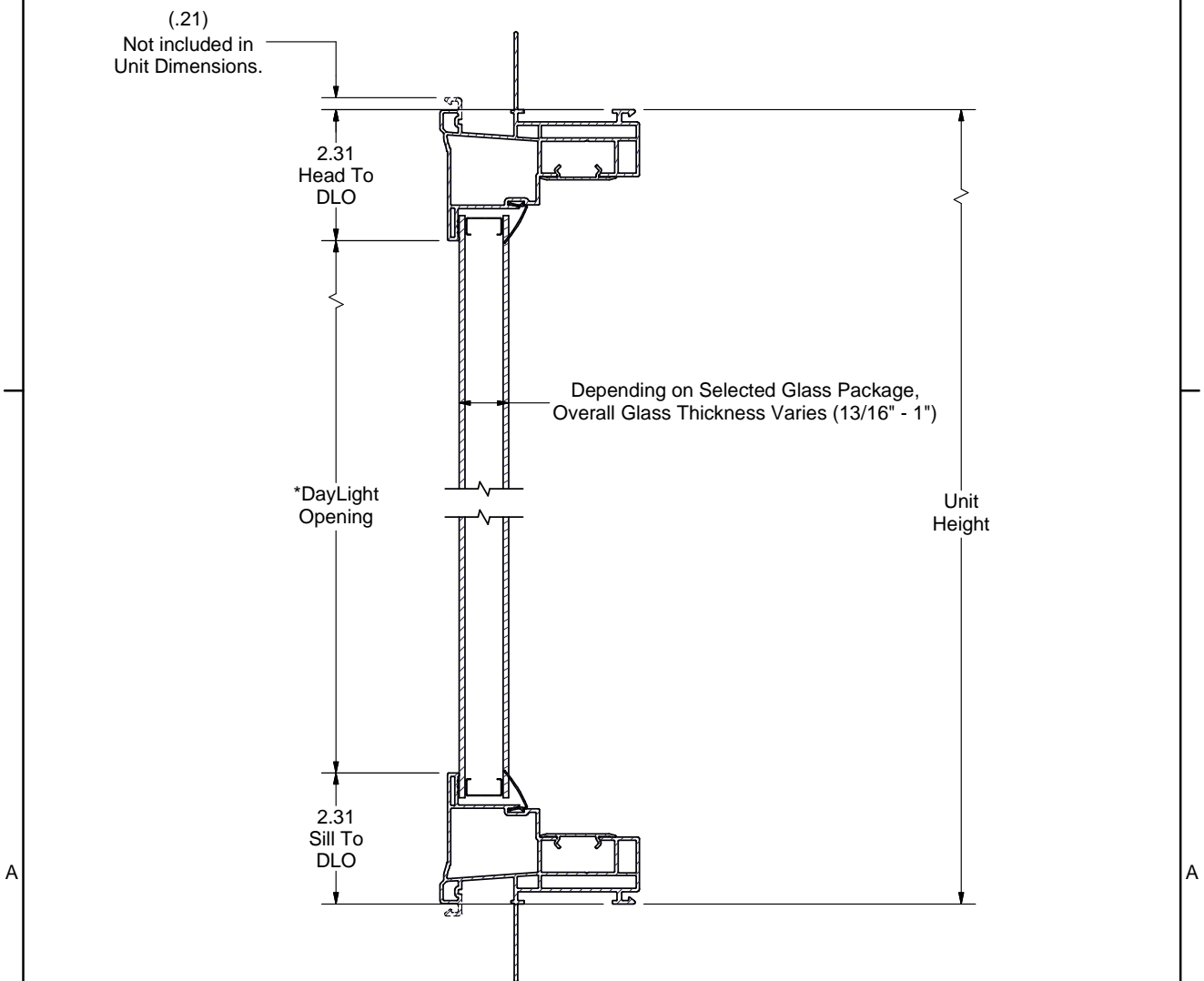
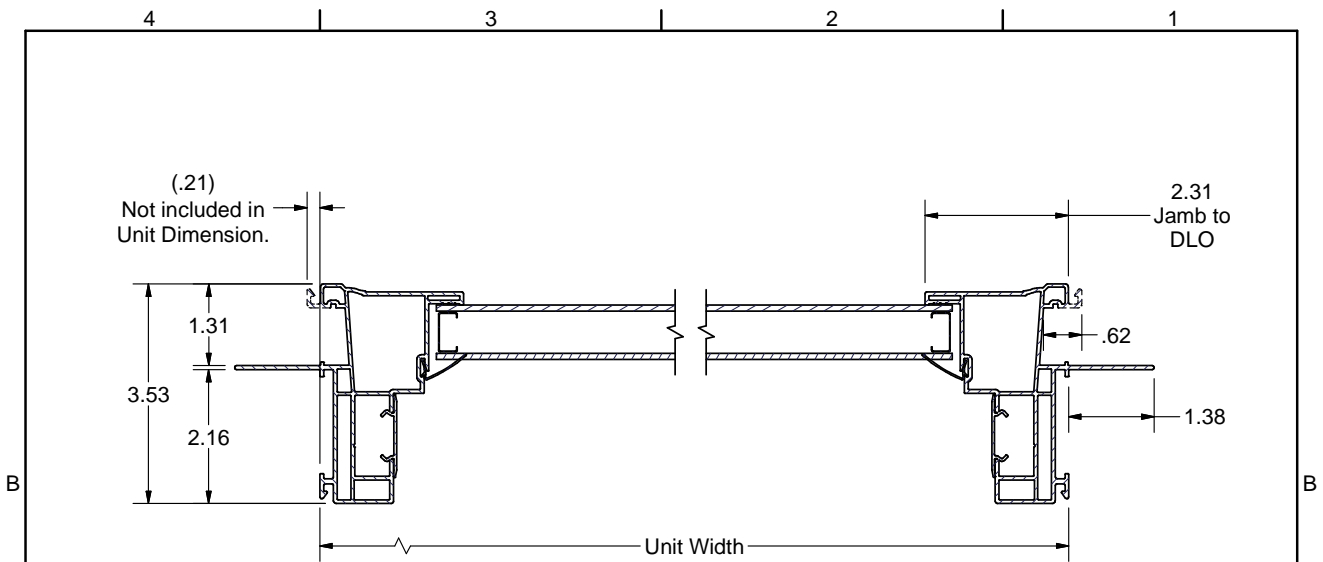
The information contained herein is PROPRIETARY to and considered a TRADE SECRET of Ply Gem Window Group, a Roanoke, VA based firm, and shall not be reproduced in whole or in part without the written authorization of Ply Gem Window Group.



- NOTES:**
1. "\*" INDICATES: SEE B.O.M. CUT LOGIC or "TECHNICAL DOCUMENTATION"
  2. SEE B.O.M. CUT LOGIC or "TECHNICAL DOCUMENTATION" FOR GLASS DIMENSIONS.
  3. VIEW SHOWN IS: BRICKMOULD, NEW CONSTRUCTION w/ NAIL FIN.
  4. REINFORCEMENT SHOWN IS ONLY USED AS NEEDED.

	Tolerances Unless Otherwise Specified. All Dimensions originate at sharp corners unless indicated. X.XXX ± 0.005, X.XX ± 0.015 FRACTIONAL ± 1/64" ANGLES ± 1.0° FLATNESS ± 0.020 per ft. NOTE: BOXED/CIRCLED DIMS ARE CRITICAL				DWG. FILE NAME: <b>EJAGSL1000.idw</b>		
	The information contained herein is PROPRIETARY to and considered a TRADE SECRET of Ply Gem Window Group, a Roanoke, VA based firm, and shall not be reproduced in whole or in part without the written authorization of Ply Gem Window Group.		SCALE: <b>1/2</b> SHEET SIZE: <b>B</b>		DRAWN BY: <b>sgibbs</b> DATE: <b>12/27/2012</b> REV. <b>A</b>		
<b>REV. ECO</b>		<b>12-275</b>		INITIAL RELEASE		12/27/12 KSG	
<b>ECO</b>		<b>REVISION</b>		<b>DATE</b>		<b>BY</b>	
<b>1500 Series, Slider, Section Views</b>							

**HORIZONTAL SLIDER**



**NOTES:**

1. " \* " INDICATES: SEE B.O.M CUT LOGIC or "TECHNICAL DOCUMENTATION"
2. SEE B.O.M. CUT LOGIC or "TECHNICAL DOCUMENTATION" FOR GLASS DIMENSIONS.
3. VIEW SHOWN IS:  
BRICKMOULD, NEW CONSTRUCTION w/ NAIL FIN.

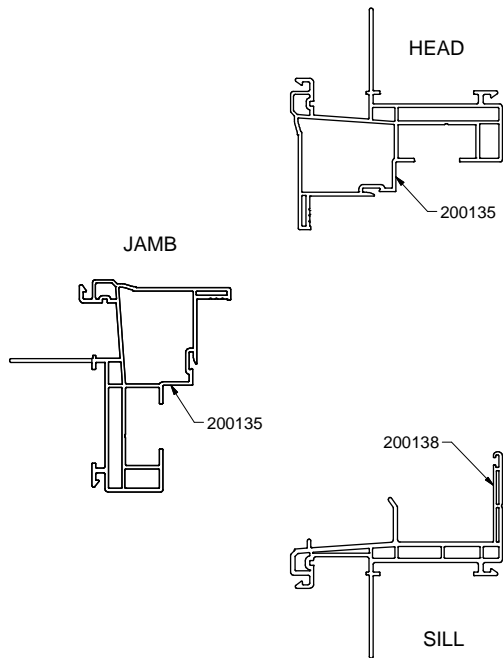
**SH FIXED WINDOW**

	Tolerances Unless Otherwise Specified. All Dimensions originate at sharp corners unless indicated. X.XXX ± 0.005, X.XX ± 0.015 FRACTIONAL ± 1/64" ANGLES ± 1.0° FLATNESS ± 0.020 per ft. NOTE: BOXED/CIRCLED DIMS ARE CRITICAL					DWG. FILE NAME: <b>EJAGSHDS1000.idw</b>		
	SCALE: 1/2		DRAWN BY: sgibbs		REV.	SHEET SIZE: B DATE: 1/14/2013 A		
	DESCRIPTION: <b>1500 Series, Section Views</b>							
A 13-011		INITIAL RELEASE		1/14/13	KSG			
REV.	ECO	REVISION		DATE	BY			

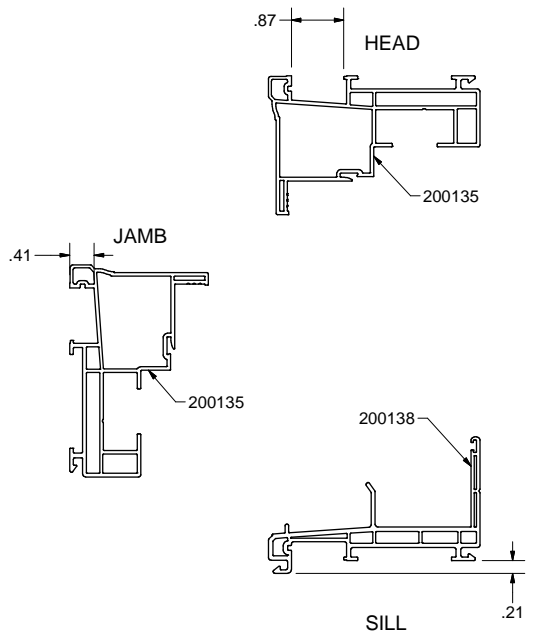
The information contained herein is PROPRIETARY to and considered a TRADE SECRET of Ply Gem Window Group, a Roanoke, VA based firm, and shall not be reproduced in whole or in part without the written authorization of Ply Gem Window Group.

# BRICKMOULD FRAME OPTIONS

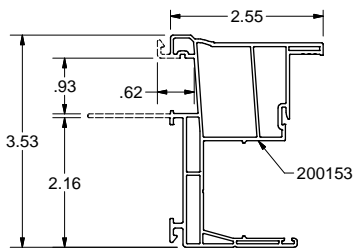
## NEW CONSTRUCTION



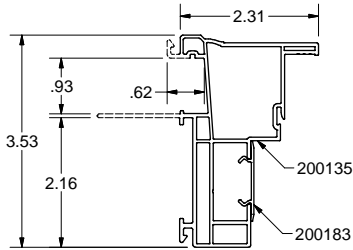
## REPLACE & REMODEL (R&R)



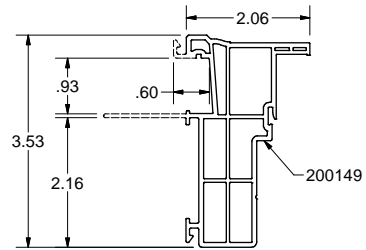
### HORIZONTAL SLIDER 4 SIDES



### FIXED WINDOW 4 SIDES

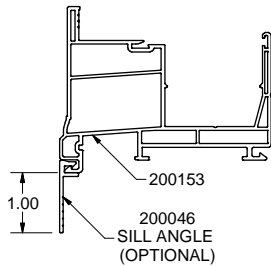


### BENDABLE FIXED WINDOW 4 SIDES

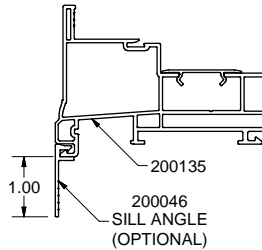


NOTE: FOR "R & R" OPTION, NAILFIN AND ACCESSORY GROOVES ARE REMOVED ON JAMBS AND HEADS ONLY (SEE "REPLACE & REMODEL (R&R)" ABOVE). THE SILLS FOR THESE THREE FRAME OPTIONS ARE SHOWN BELOW.

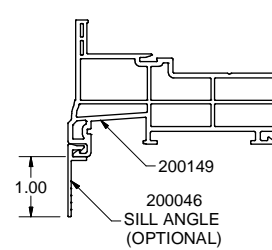
### SILL



### SILL



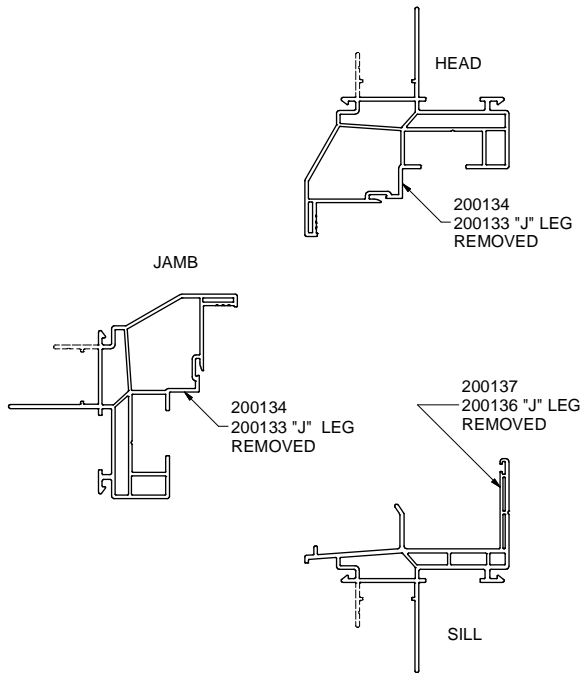
### SILL



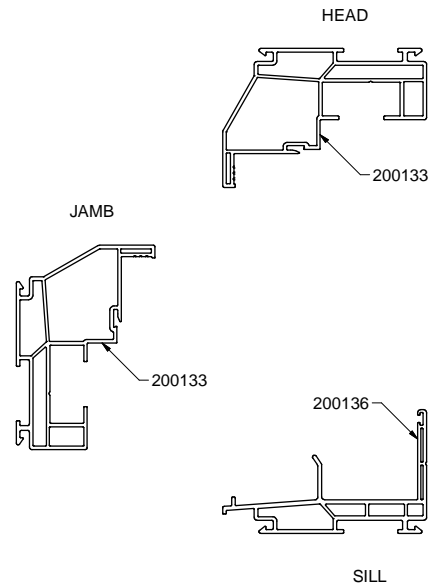
	Tolerances Unless Otherwise Specified: All Dimensions originate as sharp corners unless indicated. X.XXX ± 0.005, X.XX ± 0.015 FRACTIONAL ± 1/64" ANGLES ± 1.0° FLATNESS ± 0.020 per ft. NOTE: HONEYCOMBLED DIMS ARE CRITICAL.				DWG. FILE NAME: EJAGSH1000.idw	
	SCALE: NONE SHEET SIZE: C DATE: 8/8/2012		DRAWN BY: Sgibbs DATE:		REV. A	
The information contained herein is PROPRIETARY to and considered a TRADE SECRET of Ply Gem Window Group, a Roanoke, VA based firm, and shall not be reproduced in whole or in part without the written authorization of Ply Gem Window Group.		A REV. ECO	13-008 REVISION	INITIAL RELEASE DATE	01/03/13 BY KSG	DESCRIPTION: 1500 Series, Section Views

# BEVELED FRAME OPTIONS

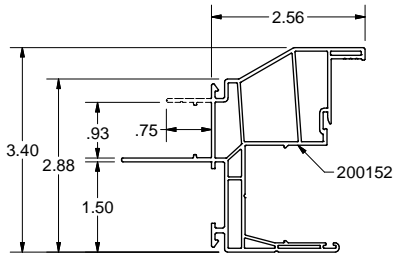
## NEW CONSTRUCTION



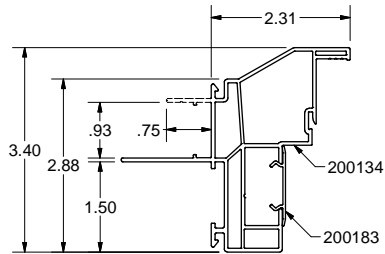
## REPLACEMENT & REMODEL (R&R)



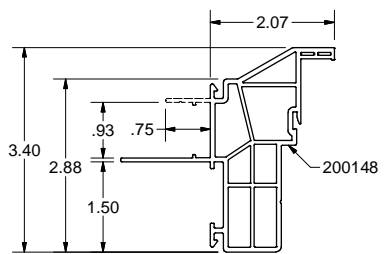
## HORIZONTAL SLIDER 4 SIDES



## FIXED WINDOW 4 SIDES



## BENDABLE FIXED WINDOW 4 SIDES

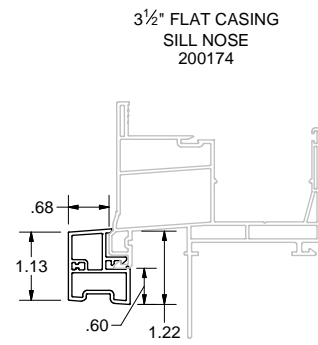
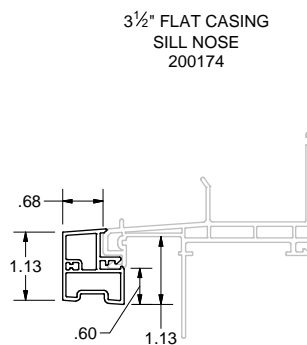
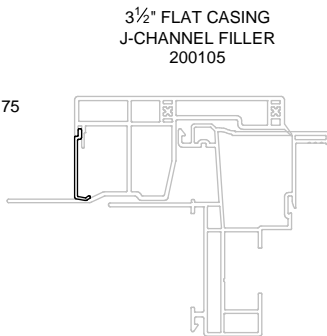
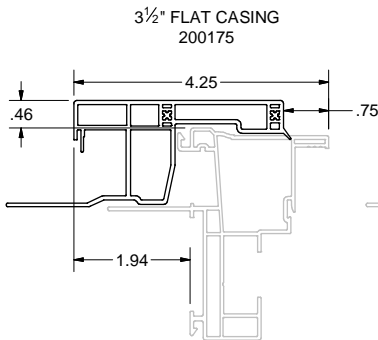
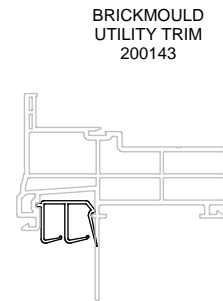
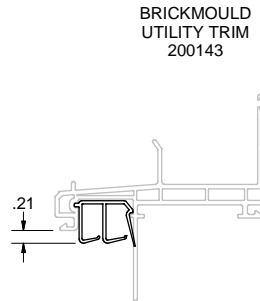
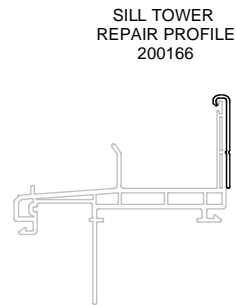
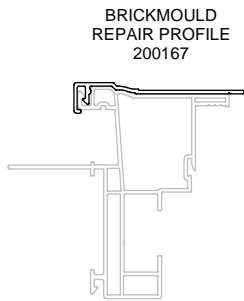
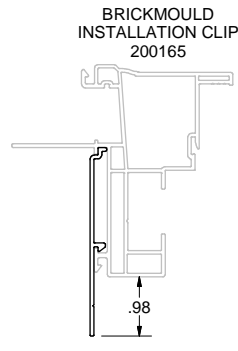
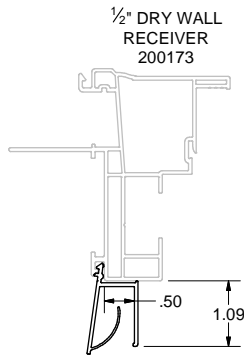
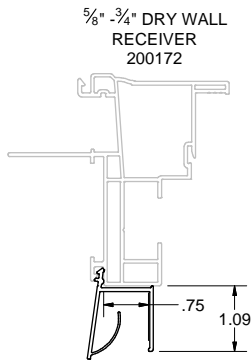
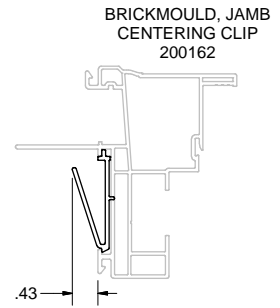
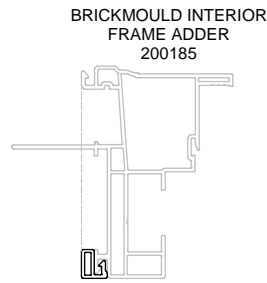
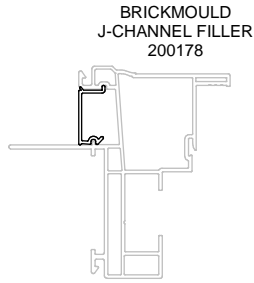
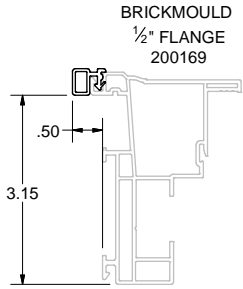


**NOTE:**

1. THE "J" CHANNEL LEG SHOWN IS OPTIONAL, AND CAN BE REMOVED FROM ANY BEVELED FRAME.
2. WHEN SELECTING AN "R & R" FRAME OPTION, THE NAILFIN AND THE "J" LEG ARE REMOVED. (SEE REPLACEMENT & REMODEL (R&R)) SHOWN ABOVE.

	Tolerances Unless Otherwise Specified: All Dimensions originate at sharp corners unless indicated. X.XXX ± 0.005, X.XX ± 0.015 FRACTIONAL ± 1/64" ANGLES ± 1.0° FLATNESS ± 0.020 per ft. NOTE: BOXED/CIRCLED DIMS ARE CRITICAL.		DWG. FILE NAME: EJAGSH1000.idw		
	The information contained herein is PROPRIETARY to and considered a TRADE SECRET of Ply Gem Window Group, a Roanoke, VA based firm, and shall not be reproduced in whole or in part without the written authorization of Ply Gem Window Group.		SCALE: NONE	DRAWN BY: Sgibbs	REV. A
REV. A	13-008	INITIAL RELEASE	01/7/13	KSG	DESCRIPTION: 1500 Series, Section Views
REV. ECO	2	REVISION	DATE	BY	1

# BRICKMOULD ACCESSORIES & OPTIONS



**NOTES:**

1. IN MOST CASES, SINGLE HUNG FRAME IS SHOWN ABOVE. BRICKMOULD ACCESSORIES & OPTIONS SHOWN ABOVE ARE COMPATIBLE WITH BRICKMOULD HORIZONTAL SLIDER & BRICKMOULD FIXED UNITS.
2. FOR SPREAD MULL SECTION / ASSEMBLY, SEE PRINT (FILE NAME: EJAGVN302).
3. FOR DRY WALL RETURN SECTION / ASSEMBLY, SEE PRINT (FILE NAME: EJAGVN301).



Tolerances Unless Otherwise Specified: All Dimensions originate at sharp corners unless indicated.  
 .X.XXX ± 0.005, .X.XX ± 0.015  
 FRACTIONAL ± 1/64"  
 ANGLES ± 1.0°  
 FLATNESS ± 0.020 per ft.  
 NOTE: DIMENSIONED DIMS ARE CRITICAL.

The information contained herein is PROPRIETARY to and considered a TRADE SECRET of Ply Gem Window Group, a Roanoke, VA based firm, and shall not be reproduced in whole or in part without the written authorization of Ply Gem Window Group.

REV.	ECO	13-008	INITIAL RELEASE	01/7/13	KSG
REV.	ECO		REVISION	DATE	BY

DWG. FILE NAME: EJAGSH1000.idw		
SCALE: NONE	DRAWN BY: Sgibbs	REV.:
SHEET SIZE: C	DATE: 6/8/2012	A
DESCRIPTION: 1500 Series, Section Views		

